

Sheet: Dolby S Encoder

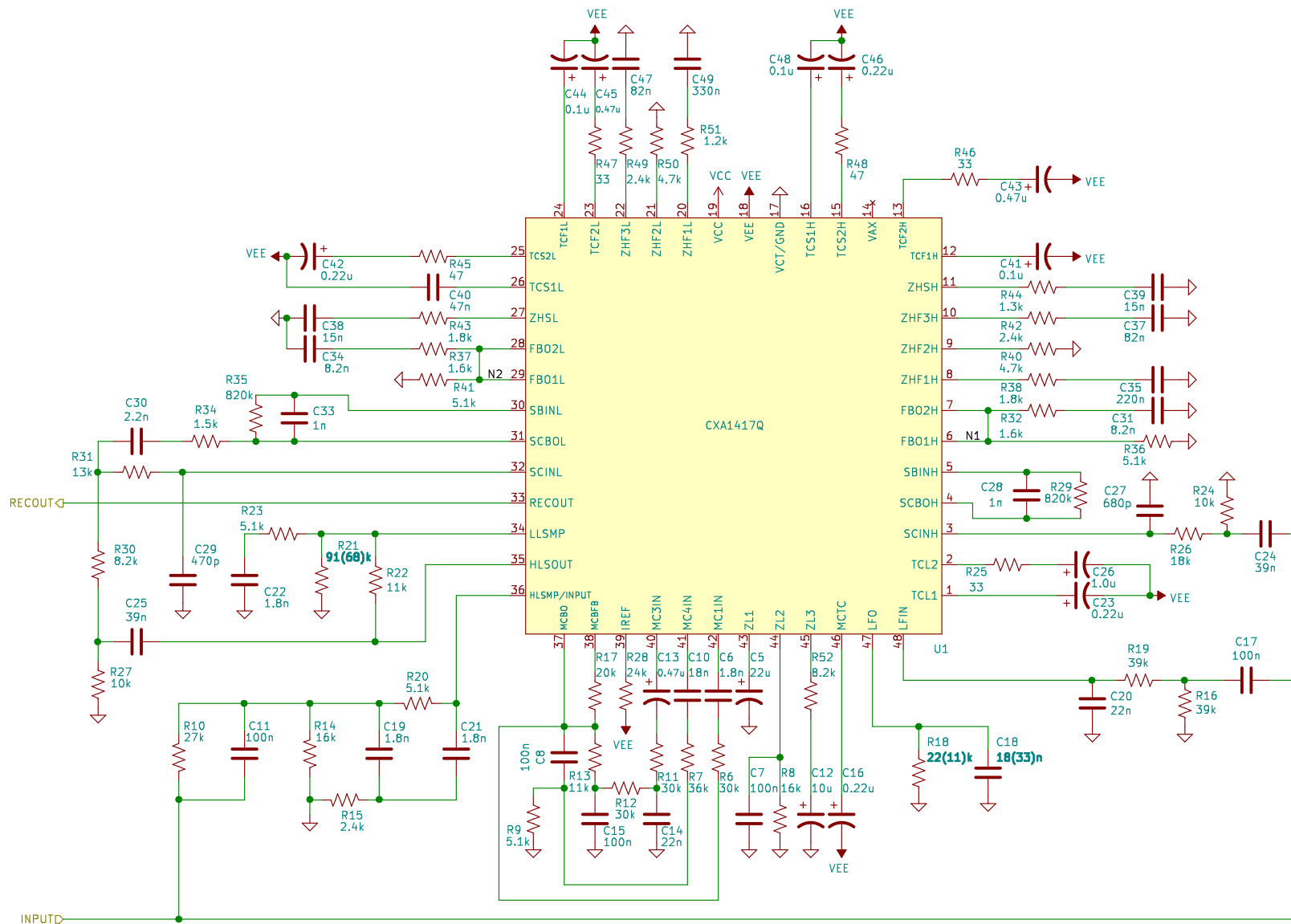
QRECOUT

INPUT

File: DOLBY_S_ENCODER.sch

Diodes D1–D4 are SOT–223 parts with anode on pin 2 and cathode on pin 3, with pin 1 not connected. Modern diodes in the same package have anode on pin 1 and cathode on pin 3, with pin 2 not connected. To accommodate both pinouts, anode pins 1 and 2 are connected on the PCB layout.

Pins 5 through 16 on J1 do not have pads on the board		
238pro.com		
Sheet: /		
File: DolbyS_NR_HIC.sch		
Title: Tascam 238S DOLBY S NR HIC PCB		
Size: USLetter	Date: 2020–11–01	Rev: 2020.11.01
KiCad E.D.A. kicad 5.1.7–a382d34a887ubuntu18.04.1		Id: 1/2



Unpopulated components on the board are for the optional "Improved dynamic offset" circuit:
 N1 - C32 (shorted, bw pins 6 and 7) and R33 (not populated, pin 6 to GND)
 N2 - C36 (shorted, bw pins 28 and 29) and R39 (not populated, pin 29 to GND)

The datasheet has separate VCT and GND buses which are combined into GND in this schematic

Values in parentheses are from the datasheet

238pro.com

Sheet: /Dolby S Encoder/
 File: DOLBY_S_ENCODER.sch

Title: Dolby S Encoder

Size: USLetter Date: 2020-11-01

KiCad E.D.A. kicad 5.1.7-a382d34a887ubuntu18.04.1

Rev: 2020.11.01

Id: 2/2